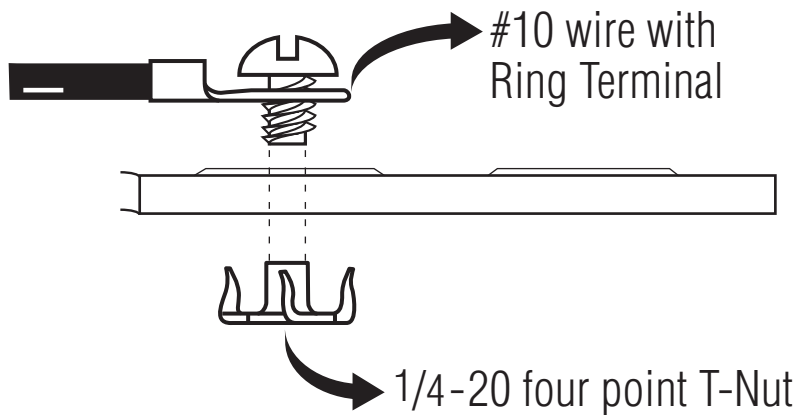
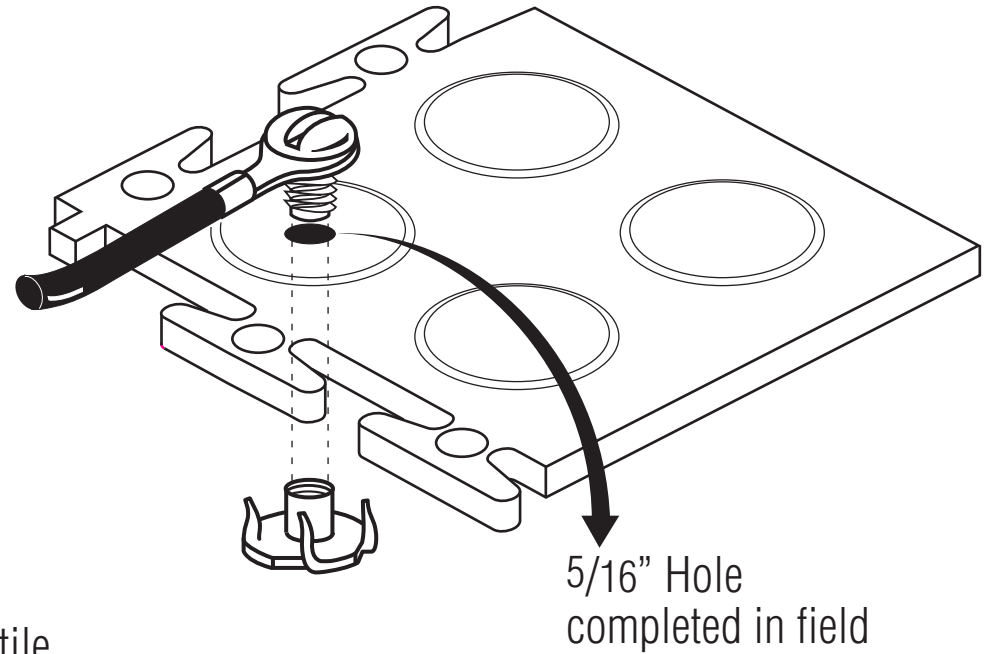
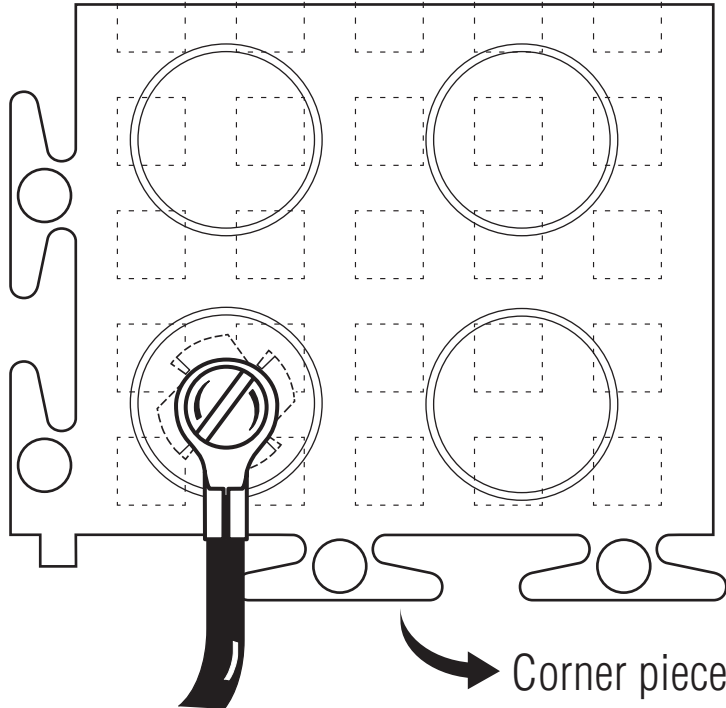




SelecTile / Freestyle – ESD Grounding Kit – Installation Instructions

(No Adhesive or Copper Strips Required)



NOTE: Illustration shows installation in SelecTile Coin Top. Follow same procedure for SelecTile Flat and FreeStyle ESD Products.